

# Data Sheet

## FUJITSU Mainboard Accessories

### VESA mounting kit comprehensive version for mini-ITX chassis

Suitable for IPC mini-ITX chassis DS2963-S and DS3003-S

#### Supported chassis

DS 2963-S

for mini ITX industrial mainboard D2963-S

DS 3003-S

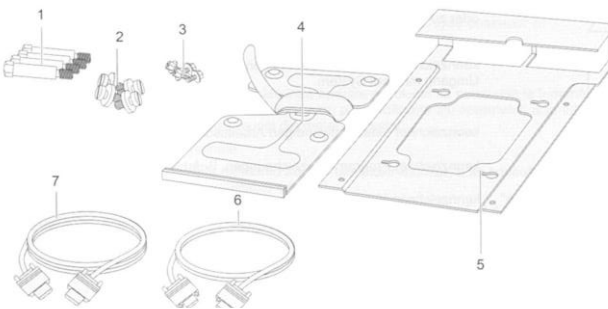
for mini ITX industrial mainboard D3003-S

#### Order code

S26361-F2601-L530

#### Package content

1. Screw bolts (4 pieces)
2. Hexagon head screws (4 pieces)
3. Cross-head screws (4 pieces)
4. Monitor base adapter
5. VESA adapter
6. VGA cable (approx. 39 cm)
7. DVI cable (approx. 44 cm)



#### Further industrial products offered by Fujitsu

- Connectors
- KVM Switches
- Relays



#### Contact:

Fujitsu Components Europe, B.V.  
Tel.: +31 (0)23 556 0910  
Fax: +31 (0)23 556 0950  
Website: [emea.fujitsu.com/components](http://emea.fujitsu.com/components)  
Address: Diamantlaan 25  
2132 WV Hoofddorp  
Netherlands

# More information

## Fujitsu products, solutions & services

### Products

[www.fujitsu.com/global/products/](http://www.fujitsu.com/global/products/)  
In addition to the Fujitsu [Product name], Fujitsu offers a full portfolio of other computing products.

### Computing products

- Storage systems: ETERNUS
- Server: PRIMERGY, PRIMEQUEST, Fujitsu SPARC M10, BS2000/OSD Mainframe
- Client Computing Devices: LIFEBOOK, STYLISTIC, ESPRIMO, FUTRO, CELSIUS
- Peripherals: Fujitsu Displays, Accessories
- Software
- Network

Product Support Services with different service levels agreements are recommended to safeguard each product and ensure smooth IT operation.

### Solutions

<http://www.fujitsu.com/global/solutions>  
The Fujitsu solutions combine reliable Fujitsu products with the best in services, know-how and worldwide partnerships. Fujitsu's Solutions include parts of one or more activity groups (e.g., planning, implementation, support, management, and training services) and are designed to solve a specific business need.

**Infrastructure Solutions** are customer offerings created by bringing Fujitsu's best products, services and technologies together with those from partners to deliver benefit to our customers' businesses.

**Industry Solutions** are tailored to meet the needs of specific verticals.

**Business and Technology Solutions** provide a variety of technologies developed to tackle specific business issues such as security and sustainability, across many verticals.

### Services

[www.fujitsu.com/global/services/](http://www.fujitsu.com/global/services/)  
Several customizable Fujitsu Service offerings ensure that IT makes a real difference and delivers true business value. We do this by leveraging our extensive experience in managing large, complex, transformational IT programs to help clients in planning, delivering and operating IT services in a challenging and changing business environment.

**Application Services** support the development, integration, testing, deployment and on-going management of both custom developed and packaged applications. The services focus on delivering business and productivity improvements for organizations.

**Business Services** respond to the challenge of planning, delivering and operating IT in a complex and changing IT environment.

**Managed Infrastructure Services** enable customers to deliver the optimal IT environment to meet their needs – achieving high levels of IT service quality and performance for data center and end user environments.

## Fujitsu green policy innovation

[www.fujitsu.com/global/about/environment/](http://www.fujitsu.com/global/about/environment/)  
Fujitsu Green Policy Innovation is our worldwide project for reducing burdens on the environment. Using our global know-how, we aim to resolve issues of environmental energy efficiency through IT. Please find further information at:



## More information

Learn more about Fujitsu, please contact your Fujitsu sales representative, Fujitsu business partner, or visit our website.  
[www.fujitsu.com/fts/mainboards/](http://www.fujitsu.com/fts/mainboards/)

## Copyright

© 2015 Fujitsu Technology Solutions GmbH  
Fujitsu and the Fujitsu logo are trademarks or registered trademarks of Fujitsu Limited in Japan and other countries.  
All rights reserved, including intellectual property rights. Changes to technical data reserved. Delivery subject to availability. Any liability that the data and illustrations are complete, actual or correct is excluded.

## Disclaimer

Technical data subject to modification and delivery subject to availability. Any liability that the data and illustrations are complete, actual or correct is excluded. Designations may be trademarks and/or copyrights of the respective manufacturer, the use of which by third parties for their own purposes may infringe the rights of such owner.

## Contact

FUJITSU Technology Solutions  
OEM Mainboard Sales  
Email: [oem-sales@ts.fujitsu.com](mailto:oem-sales@ts.fujitsu.com)

Website: <http://ts.fujitsu.com>  
2015-11-16 CE EN

Copyright © Fujitsu Technology Solutions  
All rights reserved, including intellectual property rights. Changes to technical data reserved. Delivery subject to availability. Any liability that the data and illustrations are complete, actual or correct is excluded. Designations may be trademarks and/or copyrights of the respective manufacturer, the use of which by third parties for their own purposes may infringe the rights of such owner.  
For further information see [http://ts.fujitsu.com/terms\\_of\\_use.html](http://ts.fujitsu.com/terms_of_use.html)