

Data Sheet

FUJITSU Mainboard D3400-A µATX

Classic Desktop Series

Powered by the Intel® H110 Express Chipset supporting DDR4 2133 SDRAM Memory and 6th generation Intel® Core™ i3 / i5 / i7 Processors (Socket LGA1151)

Chipset:

Intel® H110 Express Chipset

Processors:

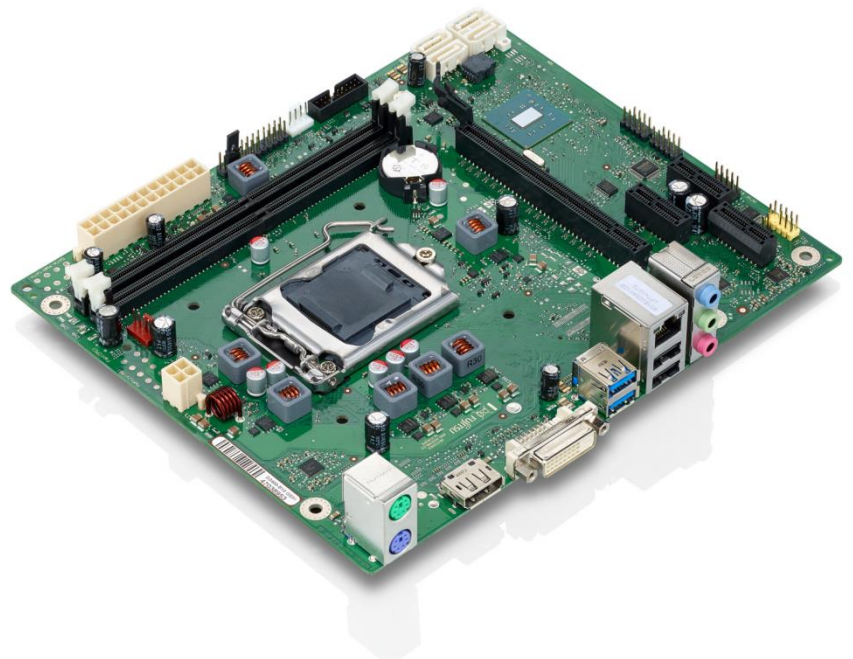
Intel® Core™ i7 / i5 / i3 – (6th gen.) processor series
Intel® Pentium® / Future Celeron® processor series
Socket LGA1151 – up to 65W TDP

Memory:

DDR4 2133 SDRAM (UDIMM)

Product Features:

Intel® HD Graphics (up to 2 digital displays)
PCI Express Gen3
Multichannel Audio & Realtek GbE LAN onboard
USB 2.0 and USB 3.0 onboard
Trusted Platform Module V2.0 (Intel integrated)
Specific 12V-only Powersupply required



(Picture similar to product; ATX PSU not possible; 3 SATA ports only)



Features and benefits

Board Size ultra small µATX: 218 x 183 mm

Chipset Intel® H110 Express Chipset

Memory
2 DIMM Sockets DDR4, max. 32GB, Dual Channel, 2133MHz (CL15), UDIMM, 1.2V/2.5V, 288-pin, non-ECC.
Effective memory speed depends on installed processor

Processor
Intel® Core™ i7 / i5 / i3 – (6th generation) processor series
Intel® Pentium® / Future Celeron® processor series
Socket LGA1151, max. 65W TDP
(For details on supported processors please refer to OEM FTP Server)

Power Specification

Fujitsu 12V only concept adopted Power Supply required
Support for Soft-Off Power Supplies
3.3V Auxiliary Supply Voltage on PCIe Slots (Wake-Up Function)
On board CPU Core Voltage Regulator

Power Supply Requirements

for onboard components (worst case)

Source	Voltage	Min. PS Load	Max.Voltage Tolerance	Cont./ Peak Mainboard Current
Main Power Supply	+ 12 V _{Rail1}	0.1 A	± 5 %	15 A / 18 A
Main Power Supply	+ 12 V _{Rail2}	0.1 A	± 5 %	15 A / 18 A
Aux. Power Supply	+ 11 V _{aux}	0 A	10.2 V-11.8 V	1 A

18A = Surge Current for max. 20 sec!

BIOS

AMI Aptio 5.x (UEFI) BIOS
modified and adapted by Fujitsu Technology Solutions; Recovery BIOS, SM-BIOS (DMI), BIOS and CPU Microcode Update, Quick Boot, Logo Boot, Quiet Boot, Plug & Play, Automatic DRAM and PCIe Configuration, BIOS Support for S.M.A.R.T., Advanced Power Management, ACPI S3/S4, Wake on time from S5.

Security Features

Recovery BIOS, System and BIOS Password, Boot Sequence Control, Serial- / USB- Port Access, Boot Sector Virus Warning, Write Protection for Flash BIOS, EraseDisk (optional BIOS Feature)
Trusted Platform Module (Intel TPM V2.0, chipset integrated).

Special Features

Silent Fan LT	Independent temperature related processor fan and system fan supervision
System Guard	View Silent Fan LT features
Silent Drives	Noise reduction for optical and hard disk drives
Recovery BIOS	Restores a corrupted BIOS
Desk Update	Simple driver update with Driver&Utilities DVD
Multi Boot	Comfortable boot from any boot device
HDD Password	Access protection for disk drives

Supported / Released Operating Systems

OS	"Runnable"	"Tested/Released by Fujitsu"
MS Windows XP	--	--
MS Windows 7-32	X	X
MS Windows 7-64	X	X
MS Windows 8.1-64	X	X
MS Windows 10-64	X	X
Linux-32	X	tbd
Linux-64	X	tbd

Graphics

Intel® HD Graphics (depends on installed processor), DX12.
Supporting up to 2 independent digital displays

Audio

Realtek ALC671, 5.1-channel, High Definition Audio Codec

LAN

Realtek RTL8111G with 10/100/1000 MBit/s,
Wake-on-LAN (WoL) by interesting Packets, Link Status Change and Magic Packet™, PXE Support, BIOS MAC Address Display

Drives

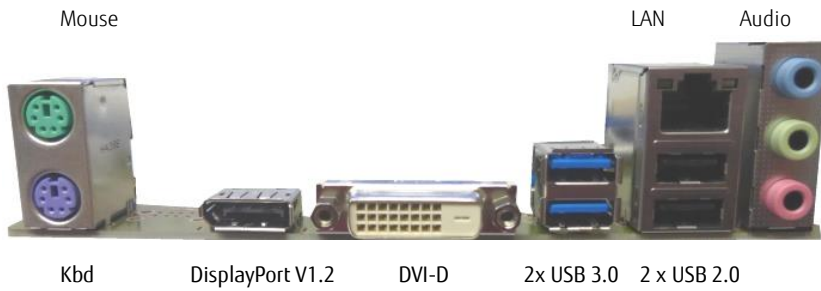
3 x Serial ATA III 600 Interface (up to 6Gbit/s), NCQ, AHCI

Features

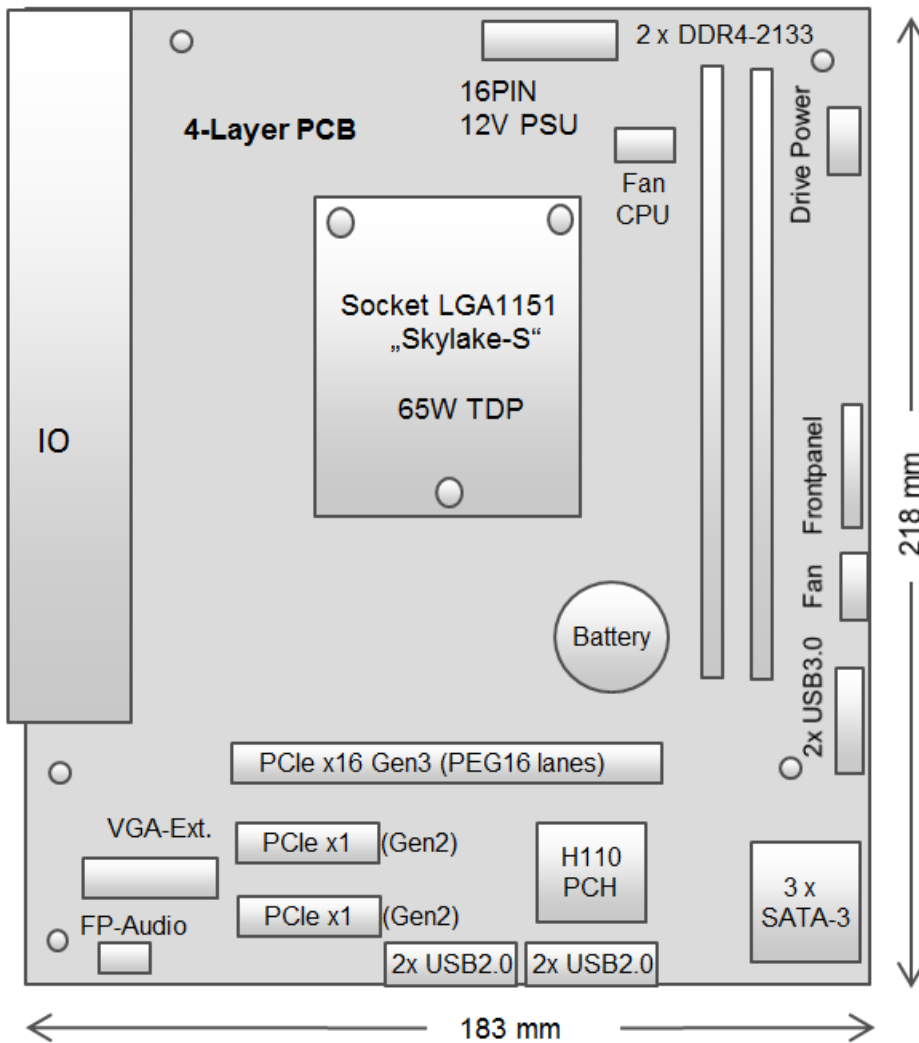
Features	D3400-A
Chipset	iH110
Board Size	ultra small µATX
VGA ¹⁾ / DVI-I / DVI-D / DP V1.2 / 2 nd DP V1.2 / LVDS	- / - / ✓ / ✓ / - / -
Stereo Audio / 5.1 Multichannel Audio	- / ✓
Buzzer / int. Speaker Support	- / ✓
LAN Gbit / 100 Mbit / 10 Mbit / WoL / LAN Boot	✓ / ✓ / ✓ / ✓ / ✓ / ✓
iAMT 11.0 vPro / iAMT Standard / DASH V1.0	- / - / -
SATA / ATA / RAID / eSATA-support / M.2 (PCIe x4 or SATA)	✓ / - / - / ✓ / -
FireWire™ / USB 2.0 / USB 3.0	- / ✓ / ✓
FAN monitored & controlled PSU / CPU / AUX1 / AUX2	- / ✓ / ✓ / -
TEMP monitored CPU / onboard sensors / external sensor	✓ / ✓ / -
Special Features	
Silent Fan / Silent Fan LT / System Guard / Silent Drives	- / ✓ / ✓ / ✓ / ✓
Recovery BIOS / Desk Update / Multi Boot	✓ / ✓ / ✓
HDD Password / HDD Encryption / EraseDisk ²⁾ / TPM	✓ / - / ✓ / ✓
BIOS POST Watchdog / BIOS Boot Watchdog / OS HW Watchdog	- / - / -
Logo Boot Option / Intel On Screen Branding	✓ / ✓
High Efficiency Core Voltage Regulator Design	-
Operating Mode 24-7 / 8-5 (hrs per day - days per week)	- / ✓
Mainboard operating temperature range (chassis inside)	10°C – 45°C
ILM - Backplate / ILM + Heatsink combined ³⁾	- / ✓
Internal Connectors	
DIMM Sockets (DDR4-2133)	2
PCI Express x16 Slot (Gen3)	1
PCI Express x1 Slot (Gen2) / PCI Express x1 Slot (Gen3)	2 / -
PCI Slots (32Bit, 33 MHz, Rev. 2.3)	-
SATA-600 / SATA-300 / ATA / Floppy / M.2 SSD	3 / - / - / - / -
S/PDIF (digital Audio) OUT / IN	- / -
Frontpanel Audio (9-Pin, HD Audio)	1
USB 2.0 channels / USB 3.0 channels / USB Stick (3.0)	4 / 2 / -
Serial (COM2, RS232)	-
FAN PSU / CPU / AUX1 / AUX2	- / 1 / 1 / -
SMBus (Case Temperature)	-
Intrusion (Case Open)	-
Parallel Port Pin Connector	-
ATX Power Supply (24 pin + 4 pin) / 12V-only Power Supply	✓ / -
External Connectors	
VGA Sub D ¹⁾ / DVI-I / DVI-D / DisplayPort V1.2	- / - / 1 / 1
Audio Mic. In / Line in / Line out (or driver configuration)	1 / 1 / 1
LAN (RJ-45)	1
PS/2 Mouse / Keyboard	1 / 1
USB 2.0 / USB 3.0	2 / 2
Serial (COM1, RS232)	-
Parallel (EPP/ECP)	-

- VGA possible via optional converter board D3463 or DP-VGA-converter (dongle)
- Optional BIOS Feature, License required
- Combined Backplate: Can not be used for pushpin Heatsink

External Connectors



Connector / Socket Diagram



Further industrial products offered by Fujitsu

- Connectors
- KVM Switches
- Relays
- Touch Panels
- Thermal Printers
- Wireless Modules



24 Volt Kiosk Printers



Multi-Input Touch Panels

Contact:

Fujitsu Components Europe, B.V.
 Tel.: +31 (0)23 556 0910
 Fax: +31 (0)23 556 0950
 Website: emea.fujitsu.com/components
 Address: Diamantlaan 25
 2132 WV Hoofddorp
 Netherlands

More information

Fujitsu products, solutions & services

Products

www.fujitsu.com/global/products/
In addition to the Fujitsu [Product name], Fujitsu offers a full portfolio of other computing products.

Computing products

- Storage systems: ETERNUS
- Server: PRIMERGY, PRIMEQUEST, Fujitsu SPARC M10, BS2000/OSD Mainframe
- Client Computing Devices: LIFEBOOK, STYLISTIC, ESPRIMO, FUTRO, CELSIUS
- Peripherals: Fujitsu Displays, Accessories
- Software
- Network

Product Support Services with different service levels agreements are recommended to safeguard each product and ensure smooth IT operation.

Solutions

<http://www.fujitsu.com/global/solutions>
The Fujitsu solutions combine reliable Fujitsu products with the best in services, know-how and worldwide partnerships. Fujitsu's Solutions include parts of one or more activity groups (e.g., planning, implementation, support, management, and training services) and are designed to solve a specific business need.

Infrastructure Solutions are customer offerings created by bringing Fujitsu's best products, services and technologies together with those from partners to deliver benefit to our customers' businesses.

Industry Solutions are tailored to meet the needs of specific verticals.

Business and Technology Solutions provide a variety of technologies developed to tackle specific business issues such as security and sustainability, across many verticals.

Services

www.fujitsu.com/global/services/
Several customizable Fujitsu Service offerings ensure that IT makes a real difference and delivers true business value. We do this by leveraging our extensive experience in managing large, complex, transformational IT programs to help clients in planning, delivering and operating IT services in a challenging and changing business environment.

Application Services support the development, integration, testing, deployment and on-going management of both custom developed and packaged applications. The services focus on delivering business and productivity improvements for organizations.

Business Services respond to the challenge of planning, delivering and operating IT in a complex and changing IT environment.

Managed Infrastructure Services enable customers to deliver the optimal IT environment to meet their needs – achieving high levels of IT service quality and performance for data center and end user environments.

Fujitsu green policy innovation

www.fujitsu.com/global/about/environment/
Fujitsu Green Policy Innovation is our worldwide project for reducing burdens on the environment. Using our global know-how, we aim to resolve issues of environmental energy efficiency through IT. Please find further information at:



More information

Learn more about Fujitsu, please contact your Fujitsu sales representative, Fujitsu business partner, or visit our website.
www.fujitsu.com/fts/mainboards/

Copyright

© 2015 Fujitsu Technology Solutions GmbH
Fujitsu and the Fujitsu logo are trademarks or registered trademarks of Fujitsu Limited in Japan and other countries.

Intel Chipset H110 and Intel Core i7 / i5 / i3 are trademarks or registered trademarks of Intel Corporation in America and other countries. Other company, product and service names may be trademarks or registered trademarks of their respective owners.

All rights reserved, including intellectual property rights. Changes to technical data reserved. Delivery subject to availability. Any liability that the data and illustrations are complete, actual or correct is excluded.

Disclaimer

Technical data subject to modification and delivery subject to availability. Any liability that the data and illustrations are complete, actual or correct is excluded. Designations may be trademarks and/or copyrights of the respective manufacturer, the use of which by third parties for their own purposes may infringe the rights of such owner.

Contact

Fujitsu Technology Solutions GmbH
OEM Mainboard Sales
Email: oem-sales@ts.fujitsu.com

Website: <http://ts.fujitsu.com>
2015-10-09